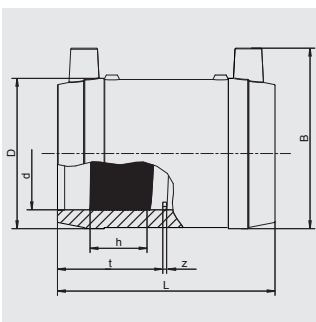


MB

Couplers with removable stop



Can also be used as repair couplers. With exposed heating coils for optimal heat transfer, large insertion depth, wide fusion zones plus cold zones at the end and in the middle to prevent the flow of molten material, for use without holding devices.

Other pressure stages and designs on request.

PE 100 SDR 11

Maximum working pressure 16 bar (water)/10 bar (gas)



d	Order Ref.	Stock-status	BX	PU	D	L	Weight kg/each
20	612680	1	110	3520	33	60	0.040
25	612681	1	90	2880	38	66	0.047
32	612682	1	60	1920	45	78	0.064
40	612683	1	40	1280	54	86	0.100
50	612684	1	25	800	68	98	0.150
63	612685	1	15	480	82	110	0.221
75	612686	1	50	400	98	122	0.360
90	612687	1	30	240	114	157	0.510
110	612688	1	24	192	137	159	0.710
125	612689	1	16	128	156	172	0.950
140	612690	1	12	96	174	184	1.270
160	612691	1	8	64	199	190	1.770