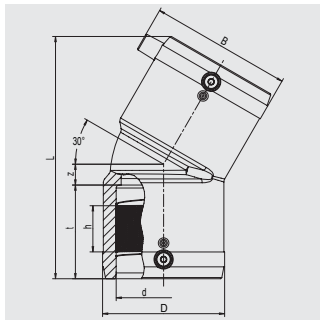


**W30****Elbows 30°**

With exposed heating coils for optimal heat transfer, large insertion depth, wide fusion zones plus cold zones at the end and in the middle to prevent the flow of molten material, for use without holding devices.

**PE 100 SDR 11****Maximum working pressure 16 bar (water)/10 bar (gas)**

d	Order Ref.	Stock-status	BX	PU	D	L	Weight kg/each
90	<b>615272</b>	1	8	144	115	224	0.780
110	<b>615273</b>	1	6	108	142	252	1.260
125	<b>615274</b>	1	4	72	158	270	1.640
160	<b>615340</b>	1	5	40	199	350	3.870
180	<b>616261</b>	1	3	24	229	390	4.990
200	<b>616262</b>	1	1	18	254	412	6.350
225	<b>616263</b>	1	1	18	281	456	8.220