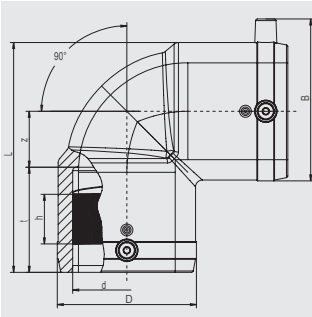


W90**Elbows 90°**

With exposed heating coils for optimal heat transfer, large insertion depth, wide fusion zones plus cold zones at the end and in the middle to prevent the flow of molten material, for use without holding devices.

PE 100 SDR 11**Maximum working pressure 16 bar (water)/10 bar (gas)**

d	Order Ref.	Stock-status	BX	PU	D	L	Weight kg/each
20	616686 ① ②	3	200	3200	28,5	71	0.040
25	612091	1	60	1920	37	73	0.060
32	612093	1	50	1600	43	82	0.070
40	612095	1	25	800	53	96	0.110
50	612097	1	20	640	66	113	0.190
63	612099	1	10	320	83	136	0.340
75	612101	1	12	216	96	170	0.600
90	612103	1	6	108	115	202	0.950
110	612105	1	10	80	138	234	1.560
125	612107	1	8	64	157	254	2.030
160	615276	1	3	24	207	329	4.850
180	615689	1	3	24	228	354	5.760
200	616265	1	2	16	254	392	8.557
225	615690	1	1	8	280	430	10.220

① Design deviates from product description

② minimum order quantity = 1 packaging unit