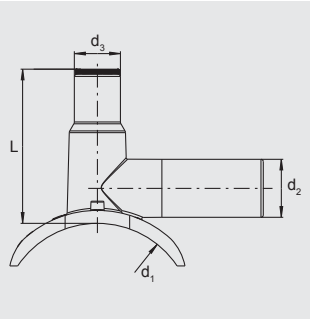


DAA TL

Pressure Tapping Tee Top-Loading and Top-Loading/ Relining with extra long outlet spigot



Suitable for all pipe diameters in the given range by means of the FRIALEN FRIATOP clamping unit (see Product Range FRIATOOLS). Leak free and swarfless tapping up to 10 bar (gas) or 16 bar (water). Integral drill with upper and lower stop, guided in a metal sleeve. With exposed heating element for optimal heat transfer. End plugs with internal O-ring seal. Fusible stack ($d_3/50 = K$). Pressure test possible before tapping. For pressure test adapter and actuating key see Product Range FRIATOOLS. Length of the outlet spigots dimensioned for 2 fusion operations.

Other outlet dimensions with electrofusion reducers MR



PE 100 SDR 11

Maximum working pressure 16 bar (water)/10 bar (gas)



d_1	d_2	Order Ref.	Stock-status	BX	PU	d_3	Drilling $\varnothing d_a$	L	Weight kg/each
250-315 (400)	63	615339 ①	1	4	72	50	30	167	1.360

① d_1 : d 250 up to d 315 for pipes SDR 11 and 17;
 d_1 : > d 315 up to d 400 for pipes SDR 17