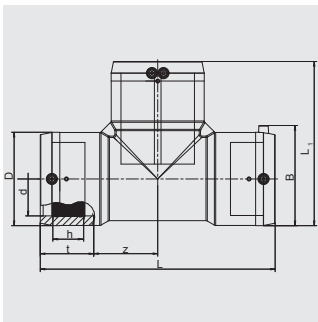


T

T-Pieces



With exposed heating coils for optimal heat transfer on all 3 sides, large insertion depth, wide fusion zones plus cold zones at the end and in the middle to prevent the flow of molten material, for use without holding devices. Straight passage fusible in one-step, therefore a total of only two fusions necessary.

PE 100 SDR 11

Maximum working pressure 16 bar (water)/10 bar (gas)



d	Order Ref.	Stock-status	BX	PU	D	L	L ₁	Weight kg/each
75	612165	1	8	144	96	278	187	0.980
90	612166	1	10	80	117	305	211	1.650
110	612167	1	6	48	142	355	248	2.580
125	612168	1	5	40	160	384	272	3.520
160	615277	1	3	24	200	430	315	5.820
180	615691	1	2	16	228	480	354	7.900
200	616266	1	1	8	251	550	400	11.130
225	615692	1	1	8	284	580	432	13.900