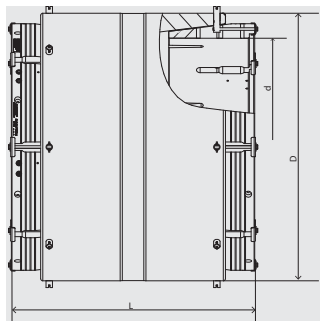


KM XL**Conical ring Couplers**

Easy and quick assembly, also as slide over coupler and given limited space. Variable diameter range to bridge large tolerance conditions of the outer pipe diameter and out-of-roundness. With flexible fusion conical ring for easy assembly given pronounced pipe out-of-roundness. The installation is made without fixing device and rounding clamp. Mechanical minimisation of the joint gap thanks to flex ring system. Integrated tensioning device for assembly and gap minimisation. Exposed, fixed heating coil, for optimal heat transfer during fusion, broad fusion zones as well as melt flow-inhibiting cold zones at the fronts and the centre for improved pipe guidance and prevention of melt release.

The KM-XL can only be fused with the FRIAMAT XL with Y connector (see Product Range FRIATOOLS).

Other dimensions or pressure rating as well as special dimensions on request.

PE 100 SDR 17**Maximum working pressure 10 bar (water)/5 bar (gas)**

d	Order Ref.	Stock-status	BX	PU	D	L	Weight kg/each
355	616535	3	1	1	497	705	36.500
400	616536	3	1	1	550	730	46.000
450	616537	3	1	1	602	750	54.000
560	616539	3	1	1	730	850	88.100
630	616523	3	1	1	805	940	135.000
800	616541	3	1	1	1005	1065	207.000
1000	616434	3	1	1	1245	1145	350.000
1200	616435	3	1	1	1450	1290	500.000