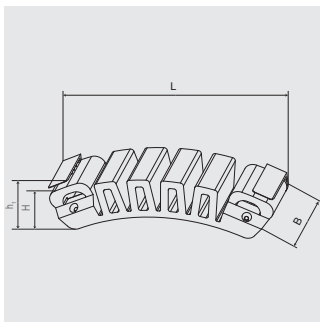


**FIXBLOC**

**Fixation for absorbing axial thrust and tensile forces**



The FIXBLOC is used on PE pipes for the creation of fixed point, as a pull-out protection, assembly aid or fixation to pipe bearing. Strength per fixed point up to 40 kN. Multiple applications possible around the pipe circumference. Processing is carried out with standard tensioning belts with belt width 50mm which are guided securely by two belt clips (easily removable). Minimum length approx. 3,5 x d pipe (longer for multiple applications). If the belt cannot be passed around the circumference of the pipe, the clamping device FIXBLOC-FWFB (only for hire, order no. 613380) can be used, e.g. in case of a PE-Liner, which must be anchored against the concrete wall of a manhole.



**PE 100**

**Maximum shear load per FIXBLOC: 40 kN**

d <sub>i</sub>	Order Ref.	Stock-status	BX	PU	H	h1	L	B	Weight kg/each
160 - 1600	<b>680600</b>	1	15	750	40	45	220	60	0.310