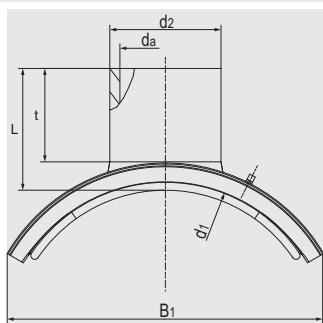


SA XL

Spigot Saddles SA XL



For integration of a branch line or vent in PE pipelines with large diameters – unpressurised or under operating pressure. Compact fitting made of HD-PE. Saddle with exposed heating element for optimal heat transfer. Outlet spigot for processing with FRIALEN couplers MB or UB. The SA XL spigot saddle is assembled using a FRIATOOLS vacuum pump (order no. 613827) and the corresponding FRIATOOLS plunger (see FRIATOOLS price list). Tapping in unpressurised condition with FRIATOOLS tapping kit FWAB XL (see Product Range FRIATOOLS) or, using an additional shut-off valve, under operating pressure using commercially available drilling equipment (we recommend Hütz & Baumgarten: www.huetz-baumgarten.de).

For tapping under pressure, please contact our hotline: +49 621 486 2325.



PE 100 SDR 11

Maximum working pressure 16 bar (water)/10 bar (gas)



d ₁	d ₂	Order Ref.	Stock-status	BX	PU	Drilling Ø d _a	L	Weight kg/each
400	225	616469	3	1	4	172	263	14.700
400	250	616779	3	1	4	187	261	15.200
450	225	616780	3	1	4	172	267	17.500
450	250	616781	3	1	4	187	272	18.000
500	225	616391	3	1	4	172	265	14.500
500	250	616782	3	1	4	187	263	15.500
500	280	616783	3	1	4	225	265	15.600
500	315	616784	3	1	4	254	268	21.600
560	225	616392	3	1	4	172	263	15.700
560	250	616785	3	1	4	187	263	17.000
560	280	616786	3	1	4	225	265	17.000
560	315	616787	3	1	4	254	268	19.800
560	355	616788	3	1	4	286	260	26.000
560	400	616789	3	1	4	322	260	27.200
630	225	616393	3	1	4	172	265	17.000
630	250	616790	3	1	4	187	267	17.500
630	280	616791	3	1	4	225	263	18.000
630	315	616792	3	1	4	254	265	20.900
630	355	616793	3	1	4	286	269	23.800
630	400	616794	3	1	4	322	267	25.000
710	225	616394	3	1	4	172	270	20.500
710	250	616795	3	1	4	187	265	22.100
710	280	616796	3	1	4	225	268	21.500
710	315	616797	3	1	4	254	268	23.800
710	355	616798	3	1	4	286	285	28.500
710	400	616762	3	1	4	322	275	29.500
800	225	616395	3	1	4	172	270	17.300
800	250	616799	3	1	4	187	275	18.600
800	280	616800	3	1	4	225	268	18.600
800	315	616801	3	1	4	254	268	20.500
800	355	616802	3	1	4	286	290	31.200
800	400	616803	3	1	4	322	275	31.600
900	225	616396	3	1	4	172	268	19.000
900	250	616804	3	1	4	187	278	20.700
900	280	616805	3	1	4	225	268	20.300
900	315	616806	3	1	4	254	269	23.000
900	355	616807	3	1	4	286	305	27.300
900	400	616808	3	1	4	322	275	28.000

SA XL

Spigot Saddles SA XL



PE 100 SDR 11

Maximum working pressure 16 bar (water)/10 bar (gas)



d ₁	d ₂	Order Ref.	Stock-status	BX	PU	Drilling Ø d _a	L	Weight kg/each
1000	225	616397	3	1	4	172	270	18.000
1000	250	616809	3	1	4	187	280	19.300
1000	280	616810	3	1	4	225	270	19.000
1000	315	616811	3	1	4	254	270	21.000
1000	355	616812	3	1	4	286	305	30.800
1000	400	616813	3	1	4	322	278	31.300
1200	225	616384	3	1	4	172	270	17.500
1200	250	616814	3	1	4	187	284	19.200
1200	280	616815	3	1	4	225	270	18.600
1200	315	616816	3	1	4	254	270	20.800
1200	355	616817	3	1	4	286	305	29.600
1200	400	616818	3	1	4	322	278	30.300

PE 100 SDR 17

Maximum working pressure 10 bar (water)/5 bar (gas)



d ₁	d ₂	Order Ref.	Stock-status	BX	PU	Drilling Ø d _a	L	Weight kg/each
1000	160	616378	3	1	4	123	300	17.350
1200	160	616383	3	1	4	123	300	17.200

For other dimensions we refer to our new product Spigot Saddle SA UNI.