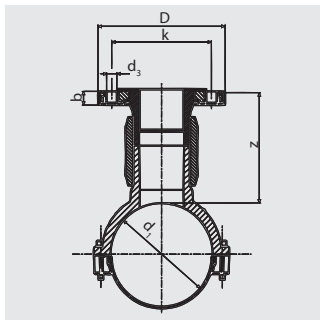


SAFL**Spigot Saddles with flange outlet**

Compact fitting in HD-PE. Manufactured combination of FRIALEN spigot saddle, coupler and FRIALEN Full Faced Flanges EFL (compact flange). Saddle with exposed heating coil for optimum heat transfer. Tapping in pressure free condition or, using an additional shut-off valve, under operating pressure by means of standard tapping equipment (we recommend Hütz & Baumgarten (www.huetz-baumgarten.de)). We recommend steel-reinforced elastomeric gaskets.

Additional washers are necessary for the flange reducer.

For tapping under pressure, please contact our hotline: +49 621 486 2325.

PE 100 SDR 11**Maximum working pressure 16 bar (water)/10 bar (gas)**

d_i /DN	Order Ref.	Stock-status	BX	PU	D	d_k	Drilling $\varnothing d_a$	H	L	$\varnothing k$	Holes for screw	Weight kg/each
110/80	616016	1	3	54	204	16.5	65	296	190	160	8	3.700
125/80	616017	1	2	36	204	16.5	65	311	205	160	8	3.940
160/80	616018	1	2	36	204	16.5	65	346	245	160	8	4.320
180/80	616019	1	2	36	204	16.5	65	366	285	160	8	4.610
225/80	616020	1	2	16	204	16.5	65	411	284	160	8	4.720
160/100	616022	1	2	36	224	16.5	84	346	245	180	8	5.270
225/100	616024	1	2	16	224	16.5	84	411	284	180	8	5.635